

Miniature Resistance Weld Crystal

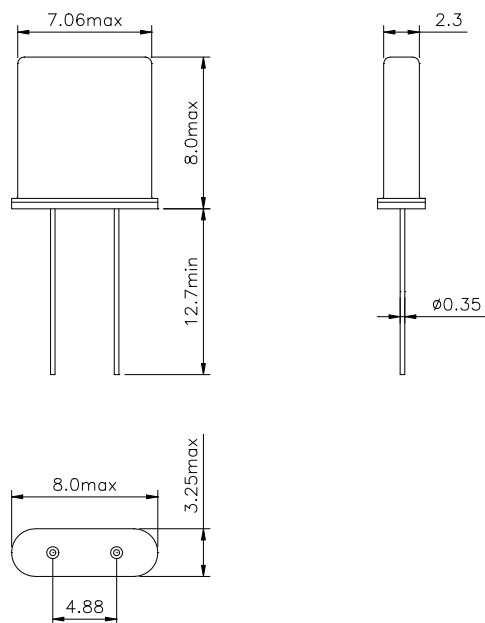
The UM1 series is a AT-cut crystal housed in a miniature resistance weld package that provides for an excellent hermetic seal and frequency aging. This high quality crystal offers a smaller footprint in a wide frequency range.

UM1

RoHS Compliant

Specifications:

Frequency Range:	6.0 MHz ~ 45 MHz	Fundamental
	25 MHz ~ 200 MHz	Overtone
Operating Temperature:	0°C ~ +50°C	-A
	-10°C ~ +60°C	-B
	-20°C ~ +70°C	-C
	-40°C ~ +85°C	-L
Storage Temperature:	-55°C ~ +125°C	
Frequency Tolerance: (at 25°C)	± 50 ppm	-50
	± 30 ppm	-30
	± 20 ppm	-20
	± 10 ppm	-10
Frequency Stability: (over temperature range)	± 50 ppm	-50
	± 30 ppm	-30
	± 20 ppm	-20
	± 10 ppm	-10
Circuit Condition:	10 pF ~ 32 pF or series	
Equivalent Series Resistance:	Maximum resistance corresponds to frequency. Please see ESR table.	
Drive Level:	100 μW max	
Shunt Capacitance:	7 pF max	
Aging:	± 3 ppm max per year	
Optional Features:	Fundamental	-F
	3 rd , 5 th , 7 th O.T.	-3,5,7
	Tape & Reel	-TR

UM-1


All dimensions are in mm

Ordering Information

Product name + CL + Operating Temperature Range + Tolerance + Stability + Other Code + Frequency.

i.e. UM1-20-C-30-30-F-24.000MHz

Note:

1. Other frequencies, tolerances, stabilities, and operating temperature ranges available. Consult VTC Support for specific requirements.
2. Not all combinations of the above tolerances, stabilities, and temperature ranges are available. Consult VTC Support if your requirement is not standard.
3. All specifications subject to change without notice.