

- **Ideal for 910.00 MHz Transmitters**
- **Very Low Insertion Loss**
- **Quartz Stability**
- **Ultra Miniature Ceramic SMD Package (QCC8C)**
- **Complies with Directive 2002/95/EC (RoHS Compliant)**

# SR5007

ABSOLUTE MAXIMUM RATING ( $T_A=25^{\circ}\text{C}$ )		
Parameter	Rating	Unit
CW RF Power Dissipation	$P$	0
DC Voltage	$V_{bc}$	$\pm 30$
Operating Temperature Range	$T_A$	-10 ~ +60
Storage Temperature Range	$T_{stg}$	-40 ~ +85

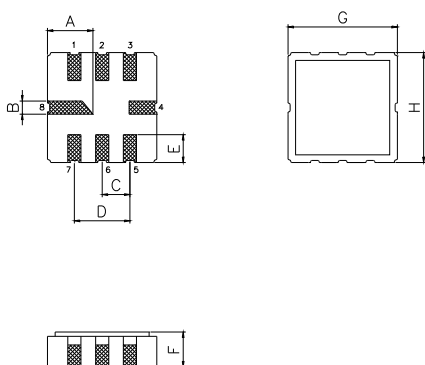
ELECTRONIC CHARACTERISTICS						
Parameter	Sym	Minimum	Typical	Maximum	Unit	
Frequency (25°C)	Nominal Frequency	$f_c$	NS	910.00	NS	MHz
	Tolerance from 910.00 MHz	$\Delta f_c$	-	-	$\pm 150$	KHz
Insertion Loss		$IL$	-	1.2	1.6	dB
Quality Factor	Unloaded Q-Value	$Q_u$	-	11,500	-	-
	50Ω Loaded Q-Value	$Q_L$	-	1,500	-	-
Temperature Stability	Turnover Temperature	$T_o$	25	-	55	°C
	Turnover Frequency	$f_o$	-	$f_c$	-	KHz
	Frequency Temperature Coefficient	$FTC$	-	0.032	-	ppm/°C <sup>2</sup>
Frequency Aging	Absolute Value during the First Year	$ f_A $	-	-	10	ppm/yr
DC Insulation Resistance Between any Two Pins		-	1.0	-	-	MΩ
RF Equivalent RLC Model	Motional Resistance	$R_M$	-	15	20	Ω
	Motional Inductance	$L_M$	-	30.1848	-	μH
	Motional Capacitance	$C_M$	-	1.0144	-	fF
	Shunt Static Capacitance	$C_o$	2.1	2.4	2.7	pF

NS = Not Specified

**Note:**

- The frequency  $f_c$  is the frequency of minimum IL with the resonator in the specified test fixture in a 50Ω test system with VSWR ≤ 1.2:1.
- Unless noted otherwise, case temperature TC = +25°C±2°C.
- Frequency aging is the change in fC with time and is specified at +65°C or less. Aging may exceed the specification for prolonged temperatures above +65°C. Typically, aging is greatest the first year after manufacture, decreasing in subsequent years.
- Turnover temperature, T0, is the temperature of maximum (or turnover) frequency, f0. The nominal frequency at any case temperature, TC, may be calculated from:  $f = f_o [1 - FTC (T_o - T_C)^2]$ .
- This equivalent RLC model approximates resonator performance near the resonant frequency and is provided for reference only. The capacitance  $C_o$  is the measured static (nonmotional) capacitance between input terminal and ground or output terminal and ground.
- The measurement includes case parasitic capacitance.
- Derived mathematically from one or more of the following directly measured parameters:  $f_c$ , IL, 3 dB bandwidth,  $f_c$  versus  $T_C$ , and Co.
- The specifications of this device are based on the test circuit shown above and subject to change or obsolescence without notice.
- Typically, equipment utilizing this device requires emissions testing and government approval, which is the responsibility of the equipment manufacturer.
- Our liability is only assumed for the Surface Acoustic Wave (SAW) component(s) per se, not for applications, processes and circuits implemented within components or assemblies.
- For questions on technology, prices and delivery, please contact our sales offices or e-mail to sales@vanlong.com.

## PACKAGE DIMENSIONS (QCC8C)



## Electrical Connections

Terminals	Connection
2	Terminal 1
6	Terminal 2
4,8	Case-Ground
1,3,5,7	NC

## Package Dimensions

Dimensions	Nom (mm)	Dimensions	Nom (mm)
A	2.08	E	1.20
B	0.60	F	1.35
C	1.27	G	5.00
D	2.54	H	5.00

## MARKING



Laser or Inkprint marking

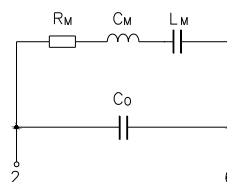
1. SR5007 - Part Code

2. Date Code:

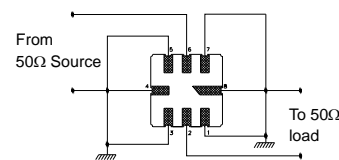
YY : Last 2 digits of year

WW : Week No.

## EQUIVALENT LC MODEL AND TEST CIRCUIT



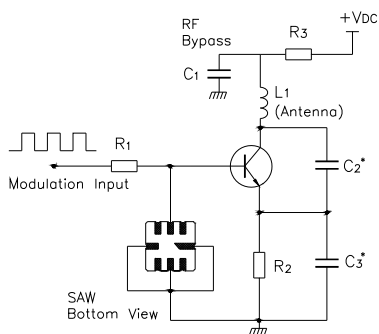
Equivalent LC Model



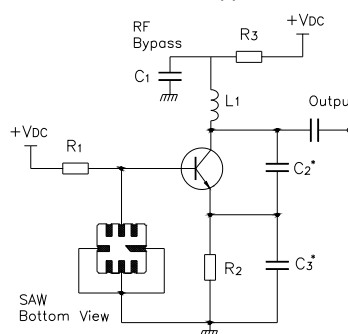
Test Circuit

## TYPICAL APPLICATION CIRCUIT

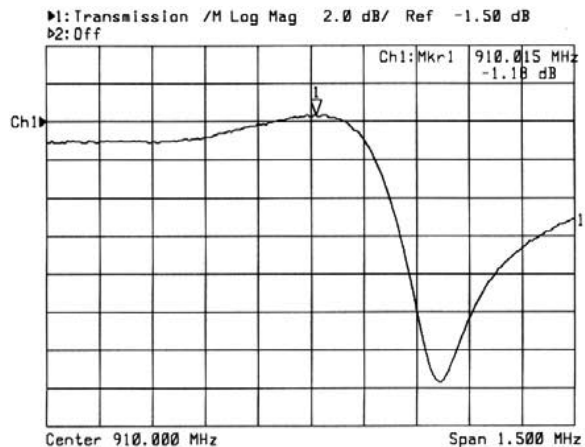
### Low Power Transmitter Application



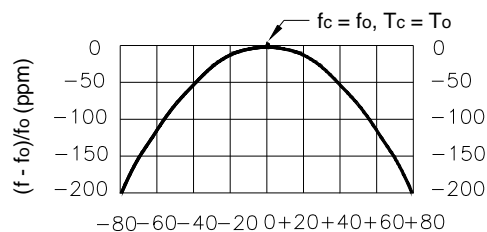
### Local Oscillator Application



## TYPICAL FREQUENCY RESPONSE



## TEMPERATURE CHARACTERISTICS



The curve shown above accounts for resonator contribution only and does not include oscillator temperature characteristics.